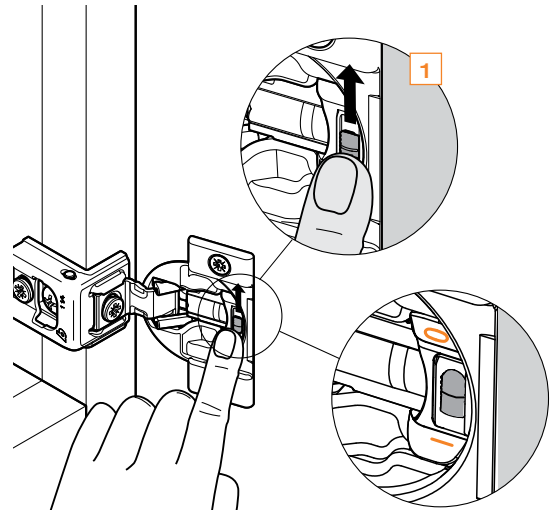


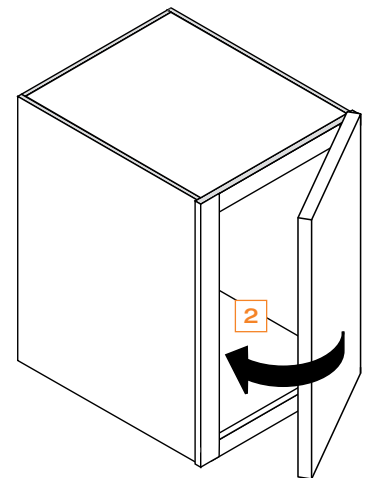
COMPACT BLUMOTION DEACTIVATION

Switch on the hinge cup

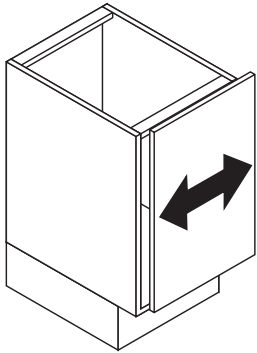
For small or light doors, the BLUMOTION can be deactivated on one of the hinges. COMPACT BLUMOTION comes in the activated position, marked with a "1". The deactivated position is marked with a "0".



Door must be closed once for the deactivation to be complete. To reactivate, move switch back to the original position "1".

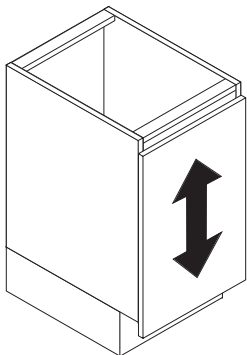
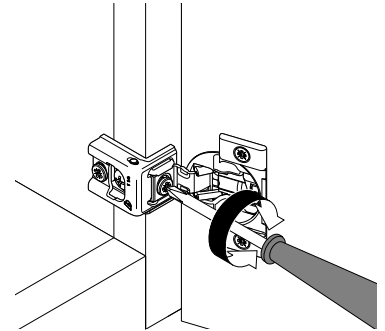


COMPACT BLUMOTION DOOR ADJUSTMENT



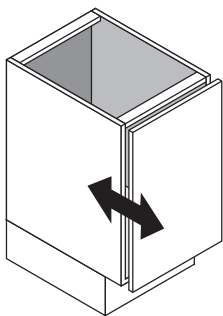
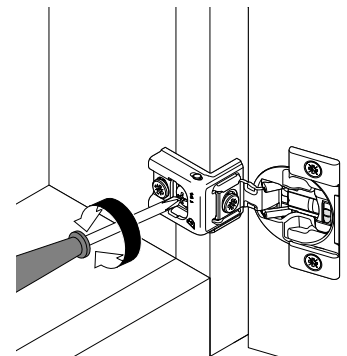
Side Adjustment

Rotate the front cam screw to increase or decrease door overlay (+/- 1/16").



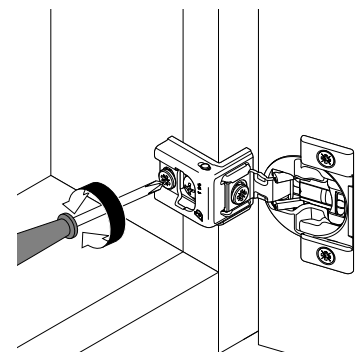
Height Adjustment

Loosen installation screws to adjust door position (+/- 1/8"), then retighten.



Depth Adjustment

Rotate the rear cam screw to adjust door gap (+ 3/32", - 1/32").

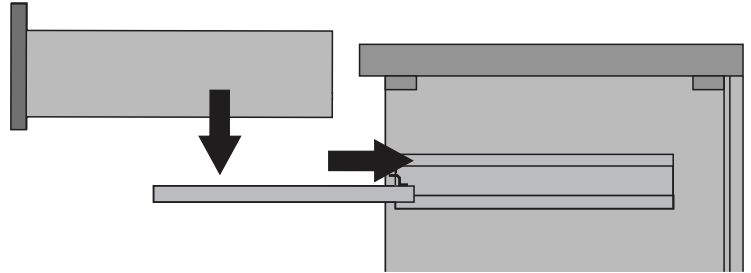


TANDEM PLUS BLUMOTION RUNNER

Drawer insertion

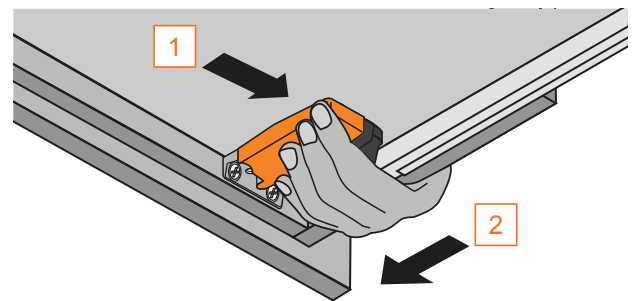
Extend the concealed runners fully. Place the drawer on the runners and close.

The locking devices automatically engage with the runners. Make adjustments if necessary.



Drawer Removal

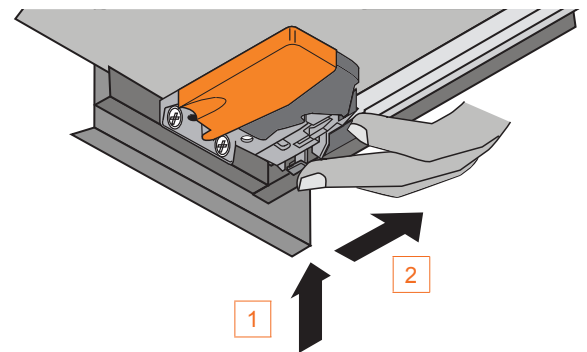
1. Squeeze orange handles on locking devices
2. Pull drawer straight out and up



Height Adjustment

1. Press up on adjustment tab
2. Push towards back of drawer

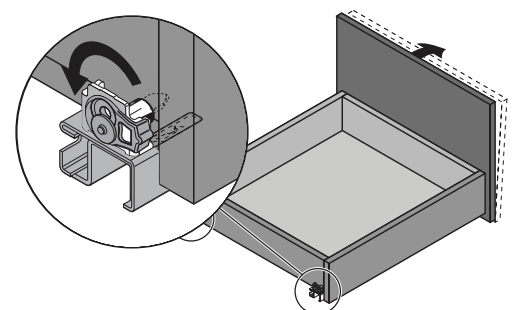
Maximum 3 (1/8") rise of drawer front (tool-free)



Tilt Adjustment

Rotate the tilt adjustment lever on the rear of each runner to lift the back of the drawer and tilt the top of the drawer front forward

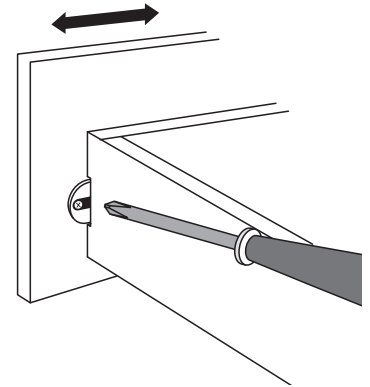
Maximum 5 (3/16") rise of drawer back (tool-free)



DRAWER FRONT ATTACHMENT

Right/Left Adjustment

Loosen screws on drawer front attachments.
Move drawer front right or left.
Tighten screws.



Up/Down Adjustment

Move drawer front up or down.

