

U.S.

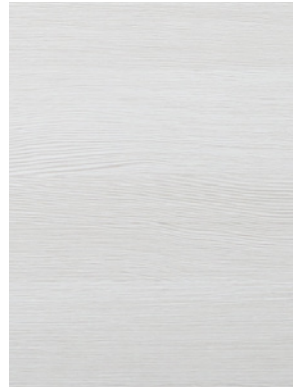
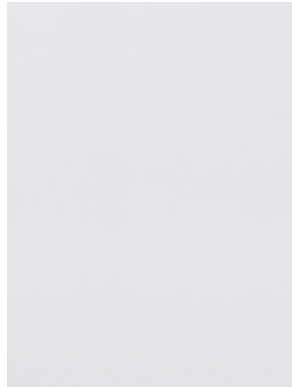
CABINET  
DEPOT

# FRAMELESS

PRODUCT LINE  
SPECBOOK

### Sample Doors

#### ALPINE SERIES



TITLE	DESCRIPTION	PRICE	TITLE	DESCRIPTION	PRICE	TITLE	DESCRIPTION	PRICE	TITLE	DESCRIPTION	PRICE
PALERMO GLOSS WHITE	SAMPLE DOOR 11"W X 15"H		TORINO WHITE PINE	SAMPLE DOOR 11"W X 15"H		TORINO GREY WOOD	SAMPLE DOOR 11"W X 15"H		TORINO DARK WOOD	SAMPLE DOOR 11"W X 15"H	



## Frequently Asked Questions

---

### CONSTRUCTION

- **Are your products CARB2 certified?**  
Yes, all US Cabinet Depot products are 100% in compliance with CARB Phase 1 & CARB Phase 2 defined guidelines of composite wood products.
- **Are your cabinets strong enough to support a granite top?**  
The construction of our cabinetry ensures the strength required to support granite, concrete and/or any other countertop material that you may select. No additional cabinet reinforcement is required.
- **What type of materials are used in the construction of your frameless cabinets?**  
The Alpine Series frameless cabinet box is constructed using composite plywood and MDF panels. The engineered wood doors have a textured melamine or laminate finish.  
The Nordic Series frameless cabinet box & door are constructed using engineered wood with a textured melamine finish.
- **How is the interior of the cabinet finished?**  
Our Alpine Series cabinets feature a white and grey linen thermofused melamine interior. Our Nordic Series cabinets feature a matching interior for the corresponding door style.
- **Is a finished panel required for exposed ends?**  
The Alpine Series features a standard white and grey linen thermofused melamine exterior, so panels are required to finish the exposed ends on a run. The Nordic Series cabinets comes with finished matching exteriors.
- **How much weight can your drawers hold?**  
Our Alpine Series 30" drawer boxes and below have a weight capacity of 88 lbs. The 30"+ drawer boxes have a weight capacity of 166 lbs. Our Nordic Series drawer boxes have a weight capacity of 88 lbs.

### ORDERING

- **What forms of payment do you accept?**  
We accept all major credit cards (Visa, American Express, Mastercard & Discover) and PayPal.
- **How can I check on the status of my order?**  
You can view the status of your orders by logging onto your account and selecting the 'My Account' page. From the left-hand menu options, select 'Frameless Orders'. The order status will be displayed, as well as tracking information for all fulfilled orders.
- **Do you offer credit terms?**  
We currently do not offer credit terms to our customers. All orders must be paid in full prior to shipping.
- **What is your return policy?**  
We do accept returns in certain circumstances. Please review the 'Returns and Replacements' section of our Terms and Conditions for details.

## Construction Notes

---

### GLOBAL FRAMELESS COLLECTION

#### ALPINE SERIES

- Clean and contemporary frameless styling
- 18mm Plywood construction (CARB2 Compliant)
- Thermofused melamine surface inside and out
- Universal white and grey linen pattern cabinet box
- All edges are banded with a thick, matching PVC edge banding with radius edges
- Wood dowel and 2 ½" confirmat screw assembly
- Broad line of available cabinet SKUs
- All door styles include integrated 'stay put' door bumpers
- Cabinet components are packaged and available separately to add overall versatility
- Featuring full extension Blum 'Legrabox' premium metal drawer boxes
  - 550mm deep kitchens
  - 450mm deep vanities
- Hettich 'Sensy' integrated soft-close hinges
- Drawers 30" and over use 166 lb. heavy duty runners
- Bases, tall and vanity cabinets use adjustable leveling feet
- All 23" high wall cabinets have one shelf
  - 30" & 35" have two shelves
  - 40" has 3 shelves

#### NORDIC SERIES

- Clean and contemporary frameless styling
- 18mm moisture resistant engineered wood construction (CARB2 compliant)
- Thermofused melamine surface inside and out
- Matching wood grain textured interior and exterior
- Camlock and dowel assembly
- Limited SKU offering
- European style soft-close hinges
- Side mount epoxy coated drawer runners
- Engineered wood 18mm drawer box
- Bases, tall and vanities include integrated matching toe kick

## Warranty

### LIMITED LIFETIME WARRANTY

Brothers Global Inc. warrants to the original consumer purchaser that US Cabinet Depot cabinetry, door hinges, and drawer glides will be free from defects in material and workmanship under normal use and service for the lifetime of the product (Proof of Purchase is required). This warranty is not transferable and only applicable to product used for residential purposes. Representatives of US Cabinet Depot do not have the authority to change or enlarge this warranty.

This warranty does not cover normal wear and tear, damage or defects caused by accidents, misuse, abuse, or lack of necessary maintenance; nor does it cover alteration, modification, improper installation, improper handling/storage, environmental conditions, nor any labor costs.

Brothers Global Inc., at our option, may elect to repair or replace with functionality equivalent product any US Cabinet Depot product covered by this warranty. Some replacement parts are subject to availability and may differ from original parts received. Return of defective product may be required for a replacement to be issued. Repair parts or replacement parts are at the expense of Brothers Global Inc., but customer shall bear all other expenses. These expenses may include, but are not limited to, cost of removal and reinstallation of product, labor, expenses, etc.

Just as no two trees are alike, no two pieces of wood are alike. The variation in color and grain pattern on wood adds to its natural beauty and is not considered an imperfection. Environmental factors, including but not limited to, artificial / natural light, moisture, cleaners, smoke, etc, may cause the darkening or mellowing of a cabinet over time. This is a natural process and can be expected. This warranty does not cover the natural aging or darkening / mellowing of wood color, the inherent growth characteristics of, or variation in wood.

Some of the cabinet lines feature a glazed finish which accentuates the door and drawer front profiles. This glaze is hand applied over a stain or paint and may, due to the nature of application, consist of random drips, runs, etc. As glazing is a hand applied process there will be variations in color and appearance from door to door and cabinet to cabinet. This is not considered a defect and is considered normal with hand applied finishes. It is the nature of wood to expand and contract to varying degrees depending on climate conditions. As a result, cabinet lines with painted surfaces may show fractures in the paint at joints. This is normal and is not considered a defect.

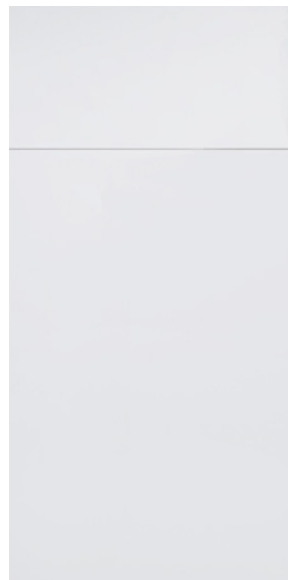
This warranty is valid only in the United States of America and Canada and is not transferable. All implied warranties are limited in duration to the shorter of the period provided by law or the period of this warranty. To the extent permitted by law, this warranty excludes special, incidental, or consequential damages. Some states do not allow the exclusion or limitations of incidental or consequential damages or limitations on how long an implied warranty lasts, so the above limitations or exclusions may not apply to you. This warranty gives you specific legal rights; you may have other rights which vary from state to state. To exercise this warranty, please contact the US Cabinet Depot supplier from whom you purchased the product. Report, in writing, to [support@uscabinetdepot.com](mailto:support@uscabinetdepot.com) all defects claimed and include proof of purchase documentation.

## ALPINE

### ALPINE DOOR SERIES STYLES & SPECIFICATIONS

(\*Specifications subject to change without notice)

#### PALERMO



#### GLOSS WHITE (PGW)

- Frameless Construction
- Scratch Resistant High Gloss White “PET” Laminate with White Melamine Back”
- Universal Box is a White/Grey Linen Thermofused Melamine Carcass with Matching Interior
- Pre-Assembled Blum “Legra” Drawer System
- Full Depth Nominal 3/4” Adjustable Shelf with Full Edge Banding
- Nominal 3/4” Plywood Core Box
- Hettich “Sensy” Adjustable 110 Degree Soft-Close Hinge
- Adjustable Black Leg Support Included

### ALPINE DOOR SERIES STYLES & SPECIFICATIONS

(\*Specifications subject to change without notice)

#### TORINO



**WHITE PINE  
(TWP)**

- Frameless Construction
- Horizontal Textured Melamine White Woodgrain Engineered Wood Slab Door with Matching Back
- Universal Box is a White/Grey Linen Thermofused Melamine Carcass with Matching Interior
- Pre-Assembled Blum “Legra” Drawer System
- Full Depth Nominal 3/4” Adjustable Shelf with Full Edge Banding
- Nominal 3/4” Plywood Core Box
- Hettich “Sensy” Adjustable 110 Degree Soft-Close Hinge
- Adjustable Black Leg Support Included



**GREY WOOD  
(TGW)**

- Frameless Construction
- Horizontal Textured Melamine Grey Woodgrain Engineered Wood Slab Door with Matching Back
- Universal Box is a White/Grey Linen Thermofused Melamine Carcass with Matching Interior
- Pre-Assembled Blum “Legra” Drawer System
- Full Depth Nominal 3/4” Adjustable Shelf with Full Edge Banding
- Nominal 3/4” Plywood Core Box
- Hettich “Sensy” Adjustable 110 Degree Soft-Close Hinge
- Adjustable Black Leg Support Included



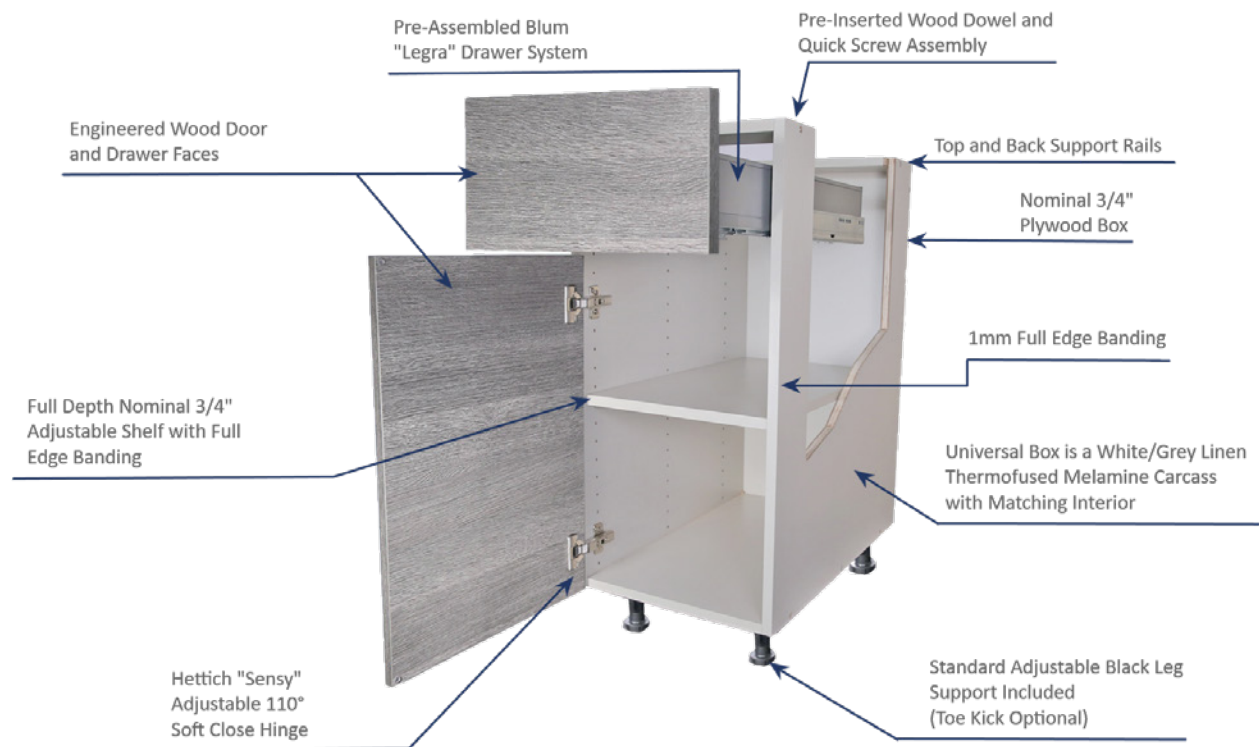
**DARK WOOD  
(TDW)**

- Frameless Construction
- Horizontal Textured Melamine Dark Brown Woodgrain Engineered Wood Slab Door with Matching Back
- Universal Box is a White/Grey Linen Thermofused Melamine Carcass with Matching Interior
- Pre-Assembled Blum “Legra” Drawer System
- Full Depth Nominal 3/4” Adjustable Shelf with Full Edge Banding
- Nominal 3/4” Plywood Core Box
- Hettich “Sensy” Adjustable 110 Degree Soft-Close Hinge
- Adjustable Black Leg Support Included

### ALPINE DOOR SERIES STYLES & SPECIFICATIONS

(\*Specifications subject to change without notice)

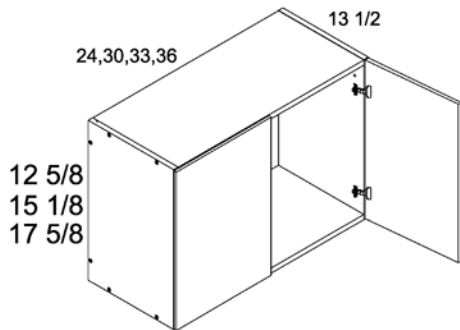
### CONSTRUCTION SPECIFICATIONS





### WALL CABINETS - PRODUCT SPECIFICATIONS

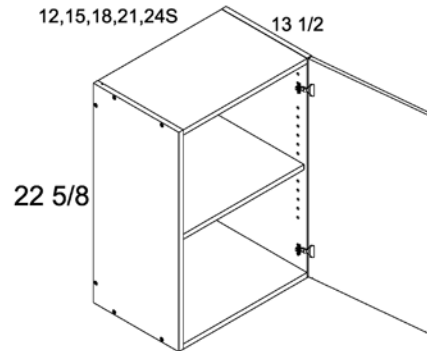
Two Door 13.5" Deep Stacker Wall Cabinets



MODEL

W2412
W3012
W3312
W3612
W2415
W3015
W3615
W2418
W3018
W3318
W3618

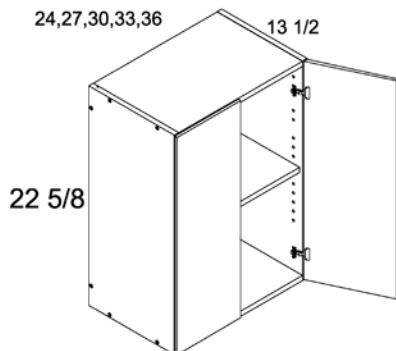
One Door 13.5" Deep Stacker Wall Cabinets



MODEL

W1223
W1523
W1823
W2123
W2423S

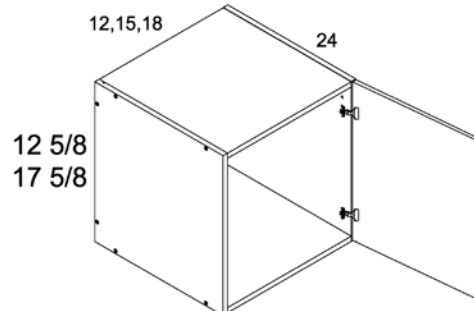
Two Door 13.5" Deep Stacker Wall Cabinets



MODEL

W2423
W2723
W3023
W3323
W3623

One Door 24" Deep Stacker Wall Cabinets



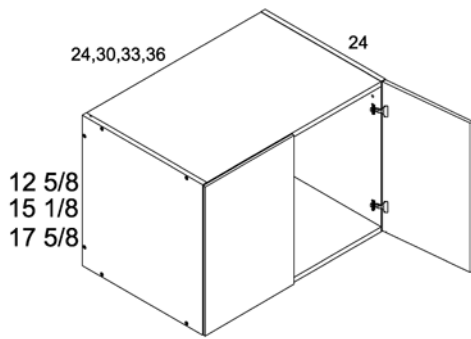
MODEL

W121224
W151224
W181224
W121824
W151824
W181824

### ALPINE

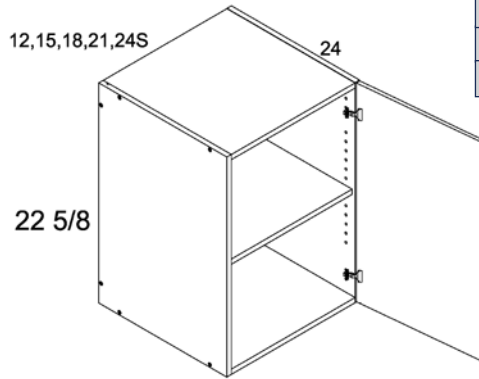
## WALL CABINETS - PRODUCT SPECIFICATIONS

Two Door 24" Deep Stacker Wall Cabinets



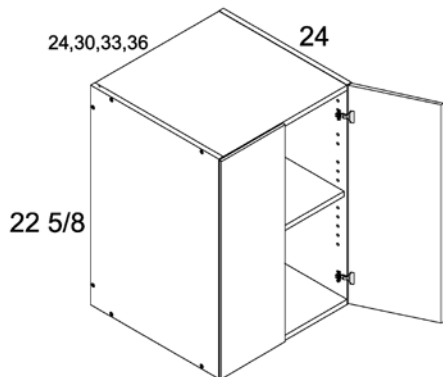
MODEL
W241224
W301224
W331224
W361224
W361524
W241824
W301824
W331824
W361824

One Door 24" Deep Stacker Wall Cabinets



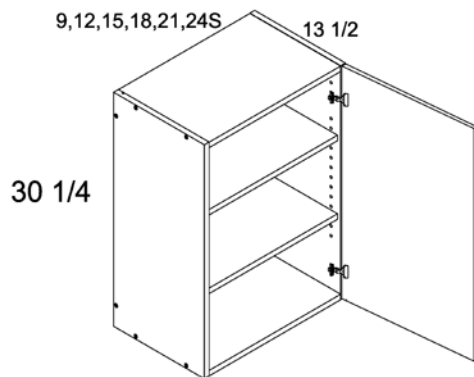
MODEL
W122324
W152324
W182324
W242324S

Two Door 24" Deep Stacker Wall Cabinets



MODEL
W242324
W302324
W332324
W362324

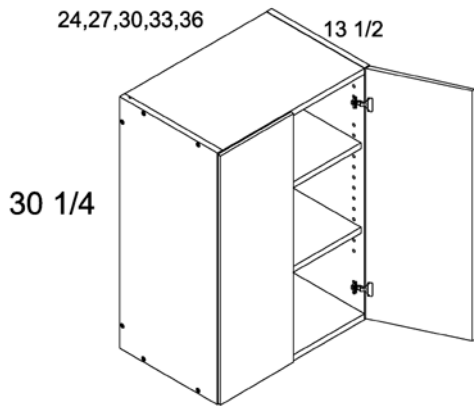
One Door 30" High Wall Cabinets



MODEL
W0930
W1230
W1530
W1830
W2130
W2430S

### WALL CABINETS - PRODUCT SPECIFICATIONS

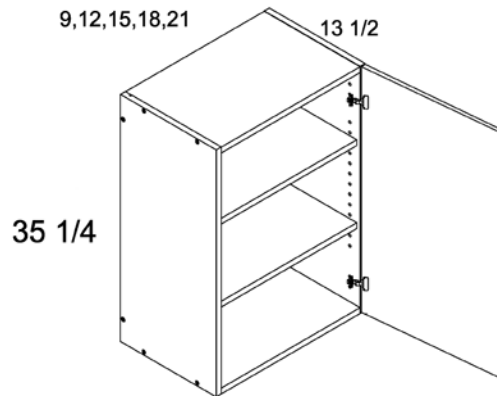
Two Door 30" High Wall Cabinets



MODEL

W2430
W2730
W3030
W3330
W3630

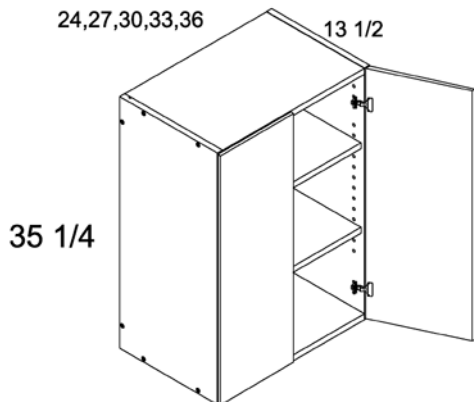
One Door 35" High Wall Cabinets



MODEL

W0935
W1235
W1535
W1835
W2135

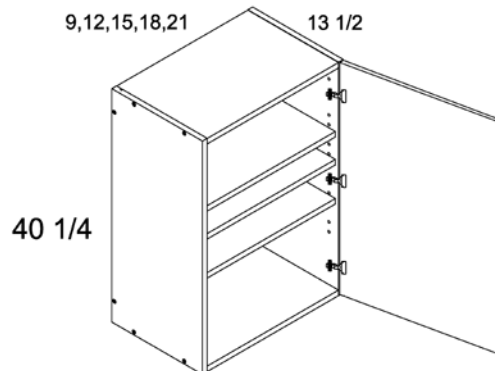
Two Door 35" High Wall Cabinets



MODEL

W2435
W2735
W3035
W3335
W3635

One Door 40" High Wall Cabinets



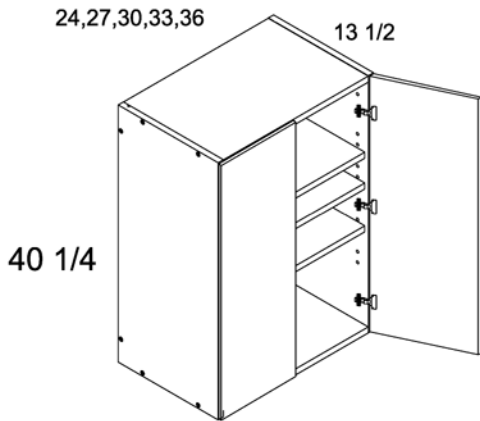
MODEL

W0940
W1240
W1540
W1840
W2140

### ALPINE

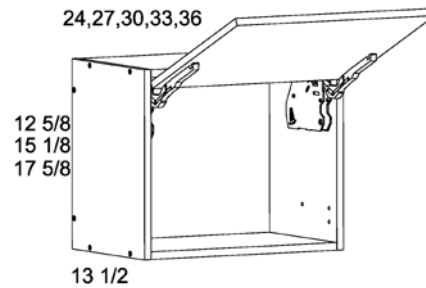
## WALL CABINETS - PRODUCT SPECIFICATIONS

#### Two Door 40" High Wall Cabinets



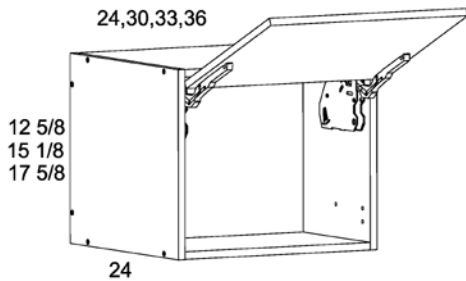
MODEL
W2440
W2740
W3040
W3340
W3640

#### 13.5" Deep Flip Up Door Wall Cabinets



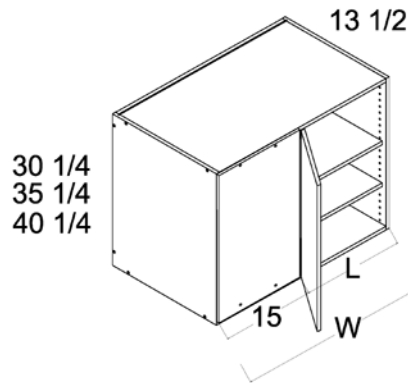
MODEL
WFD2421
WFD2712
WFD3012
WFD3312
WFD3612
WFD2415
WFD2715
WFD3015
WFD3315
WFD3615
WFD2418
WFD2718
WFD3018
WFD3318
WFD3618

#### 24" Deep Flip Up Door Wall Cabinets



MODEL
WFD241224
WFD241824
WFD301224
WFD301824
WFD331224
WFD331824
WFD361224
WFD361524
WFD361824

#### Wall Blind Corner Cabinets



MODEL
WBC24/2730
WBC27/3030
WBC30/3330
WBC33/3630
WBC36/3930
WBC24/2735
WBC27/3035
WBC30/3335
WBC33/3635
WBC24/2740
WBC27/3040
WBC30/3340
WBC33/3640

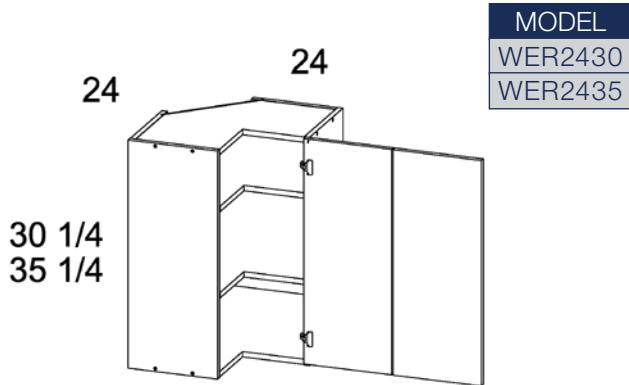
CABINET PULL CHART		
CABINET	MIN.	MAX.
WBC24/27	24	27
WBC27/30	27	30
WBC30/33	30	33
WBC33/36	33	36
WBC36/39	36	39

CODE	W	L
WBC24/27	24	9
WBC27/30	27	12
WBC30/33	30	15
WBC33/36	33	18
WBC36/39	36	21

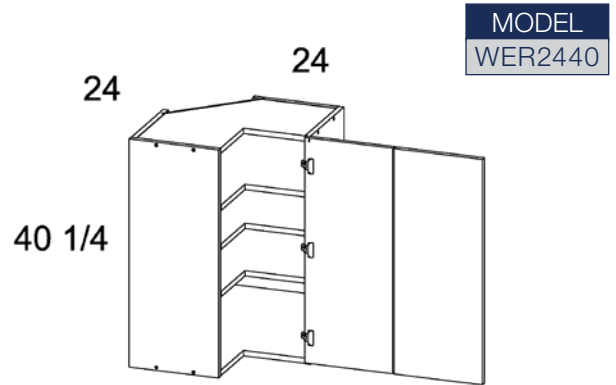


### WALL CABINETS - PRODUCT SPECIFICATIONS

Wall Easy Reach Corner Cabinets



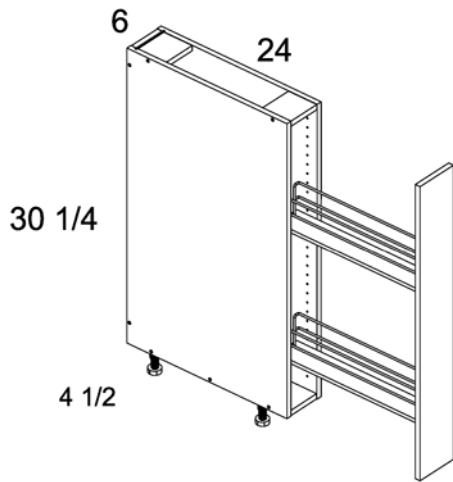
Wall Easy Reach Corner Cabinets



### ALPINE

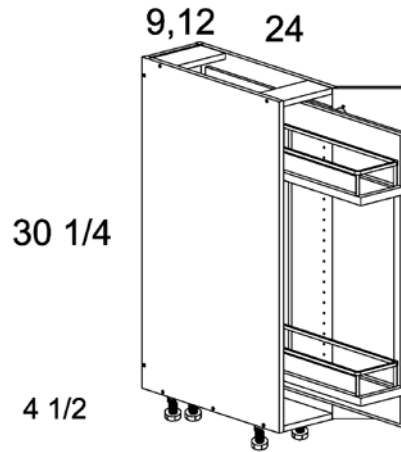
## BASE CABINETS - PRODUCT SPECIFICATIONS

Base Rollout with Basket Pullout



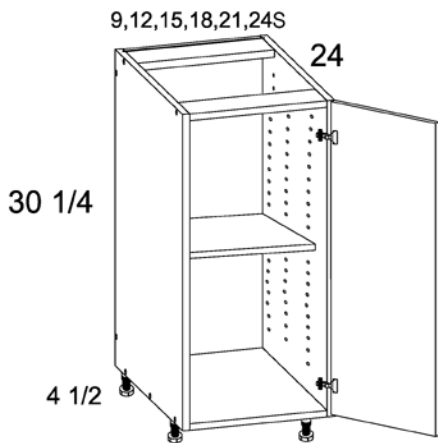
MODEL  
BPO6FH

Base Rollout with Tray Pullout



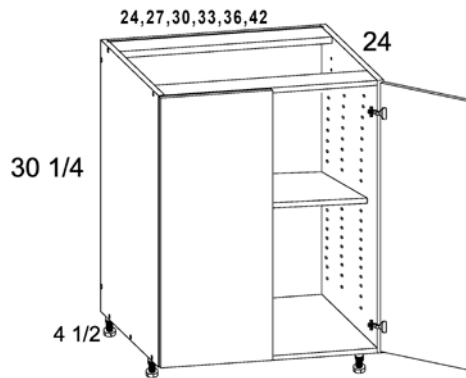
MODEL  
BPO9FH  
BPO12FH

Full Height One Door Bases



MODEL  
BT9FH  
B12FH  
B15FH  
B18FH  
B21FH  
B24SFH

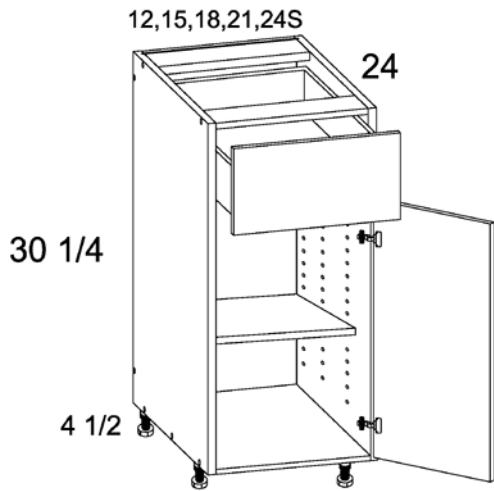
Full Height Two Door Bases



MODEL  
B24FH  
B27FH  
B30FH  
B33FH  
B36FH  
B42FH

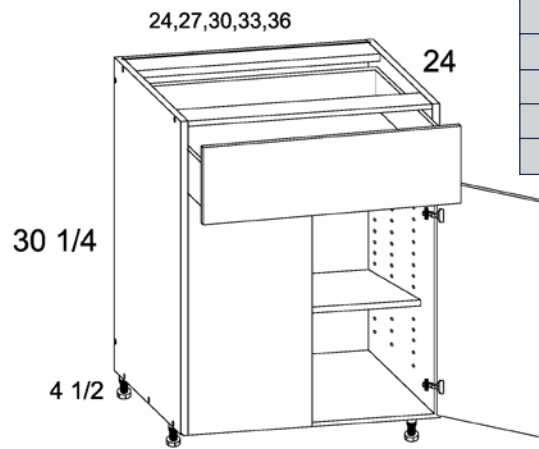
### BASE CABINETS - PRODUCT SPECIFICATIONS

#### One Door One Drawer Bases



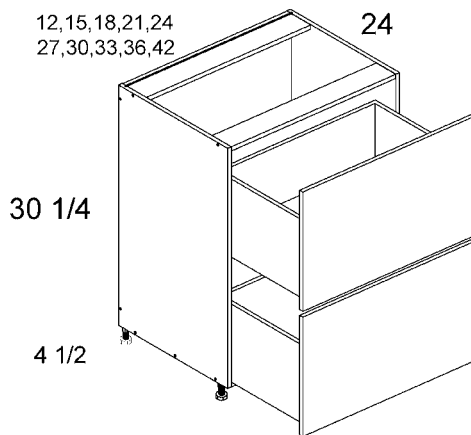
MODEL
B12
B15
B18
B21
B24S

#### Two Door One Drawer Bases



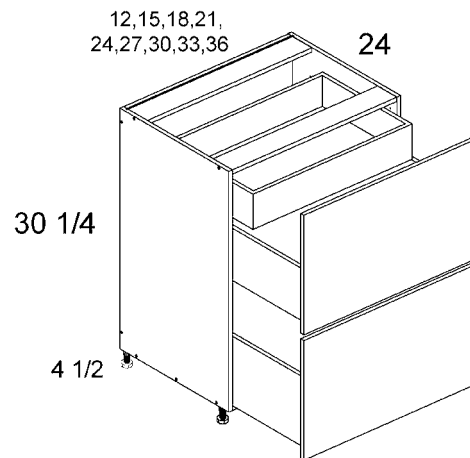
MODEL
B24
B27
B30
B33
B36

#### Two Drawer Bases



MODEL
2DB12
2DB15
2DB18
2DB21
2DB24
2DB27
2DB30
2DB33
2DB36
2DB42

#### Two Drawer Bases with Inner Drawer

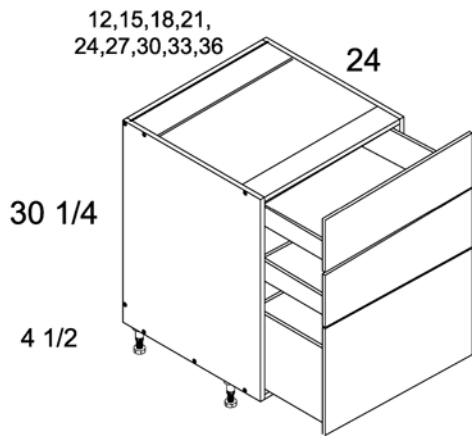


MODEL
2DBID12
2DBID15
2DBID18
2DBID21
2DBID24
2DBID27
2DBID30
2DBID33
2DBID36

### ALPINE

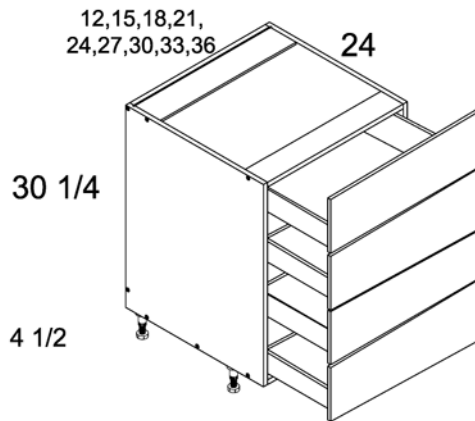
## BASE CABINETS - PRODUCT SPECIFICATIONS

#### Three Drawer Bases



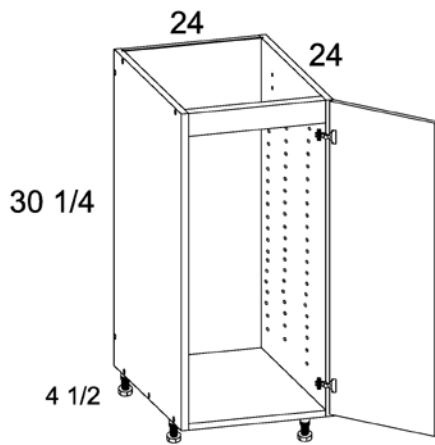
MODEL
3DB12
3DB15
3DB18
3DB21
3DB24
3DB27
3DB30
3DB33
3DB36

#### Four Drawer Bases



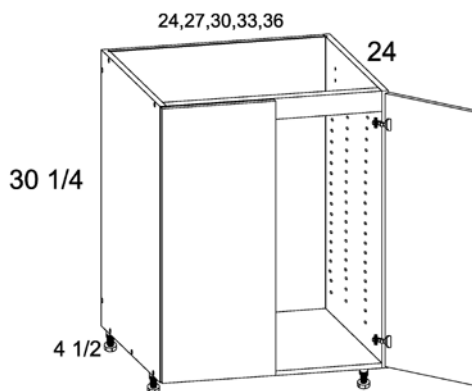
MODEL
4DB12
4DB15
4DB18
4DB21
4DB24
4DB27
4DB30
4DB33
4DB36

#### Full Height One Door Sink Bases



MODEL
SB24SFH

#### Full Height Two Door Sink Bases

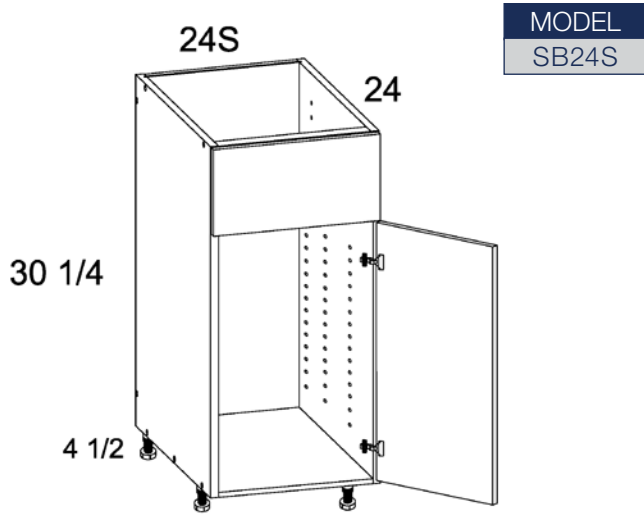


MODEL
SB24FH
SB27FH
SB30FH
SB33FH
SB36FH

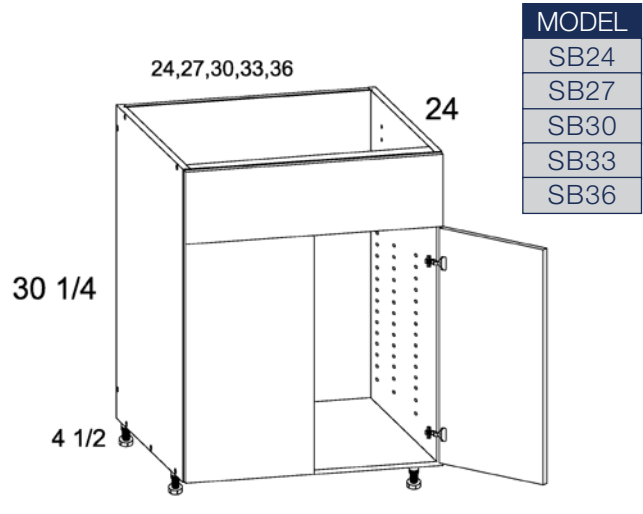


### BASE CABINETS - PRODUCT SPECIFICATIONS

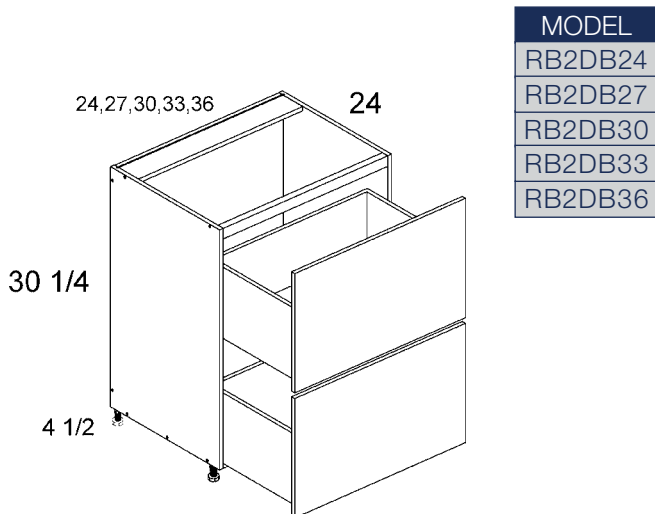
One Door with False Front Drawer Sink Bases



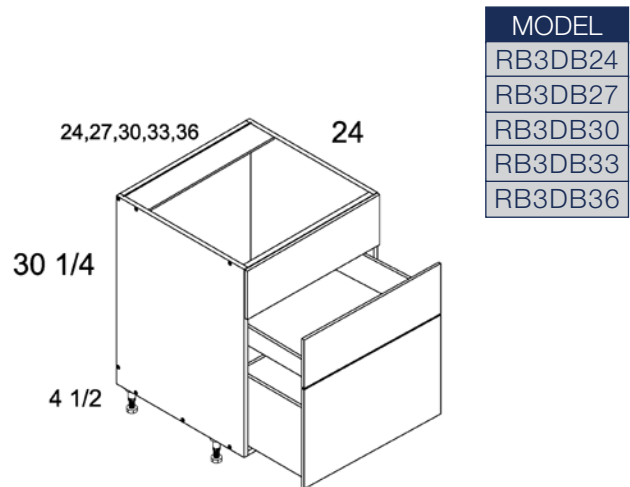
Two Door with False Front Drawer Sink Bases



Two Drawer Range Bases



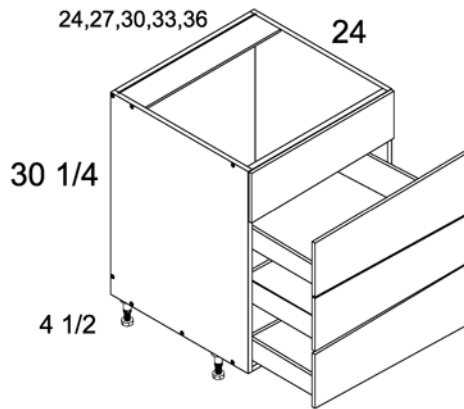
Two Drawer with False Front Range Bases



### ALPINE

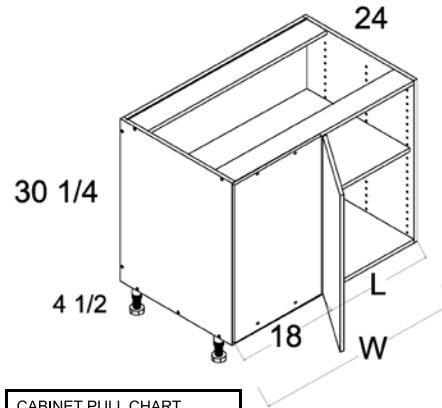
## BASE CABINETS - PRODUCT SPECIFICATIONS

Three Drawer with False Front Range Bases



MODEL
RB4DB24
RB4DB27
RB4DB30
RB4DB33
RB4DB36

Full Height One Door Blind Bases

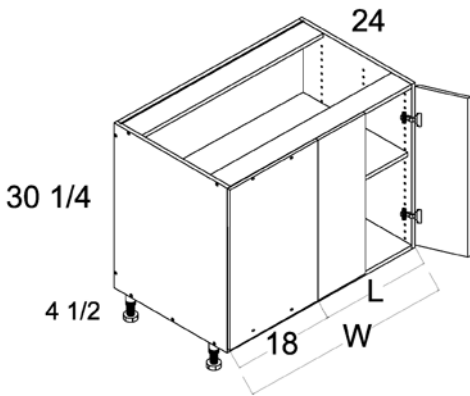


MODEL
BBC37/40FH
BBC40/43FH
BBC43/46FH
BBC46/49FH
BBC49/52SFH

CABINET PULL CHART		
CABINET	MIN.	MAX.
BBC37/40FH	37	40
BBC40/43FH	40	43
BBC43/46FH	43	46
BBC46/49FH	46	49
BBC49/52SFH	49	52

CODE	W	L
BBC37/40 FH	30	12
BBC40/43 FH	33	15
BBC43/46 FH	36	18
BBC46/49 FH	36	21
BBC49/52 FH	42	24

Full Height Two Door Blind Bases

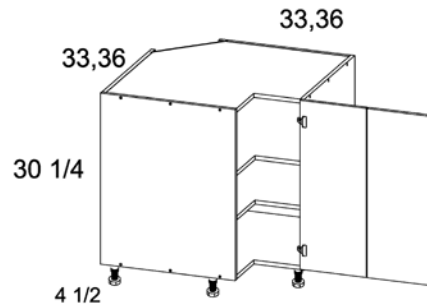


MODEL
BBC49/52FH
BBC52/55FH

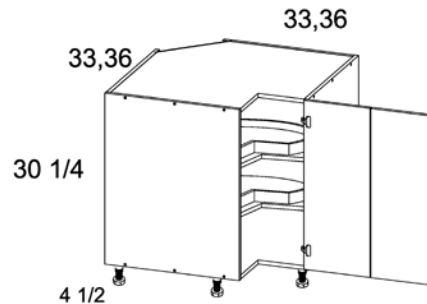
CABINET PULL CHART		
CABINET	MIN.	MAX.
BBC49/52FH	49	52
BBC52/55FH	52	55

CODE	W	L
BBC49/52 FH	42	24
BBC52/55 FH	45	27

Base Easy Reach



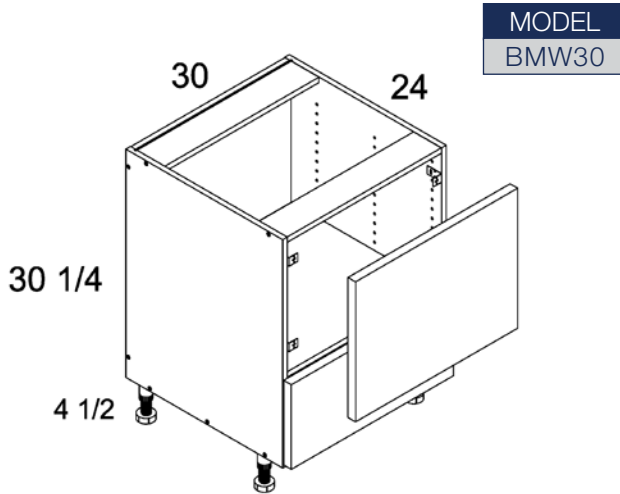
MODEL
BER33
BER36



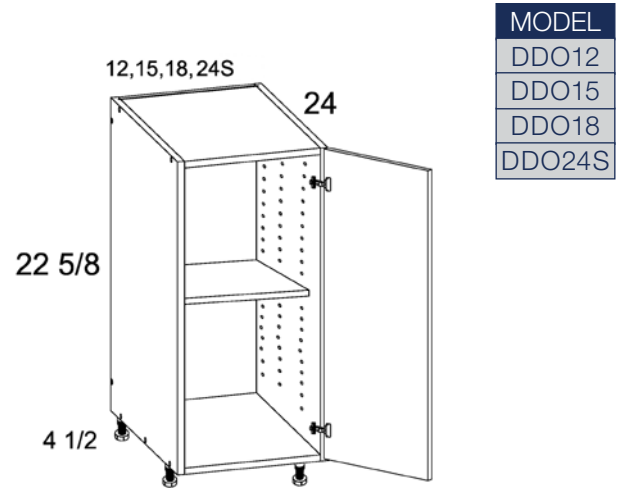
MODEL
LSB33
LSB36

### BASE CABINETS - PRODUCT SPECIFICATIONS

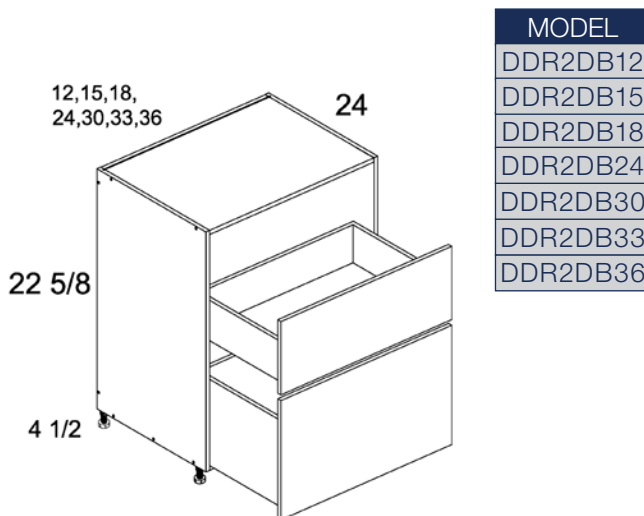
Microwave Base



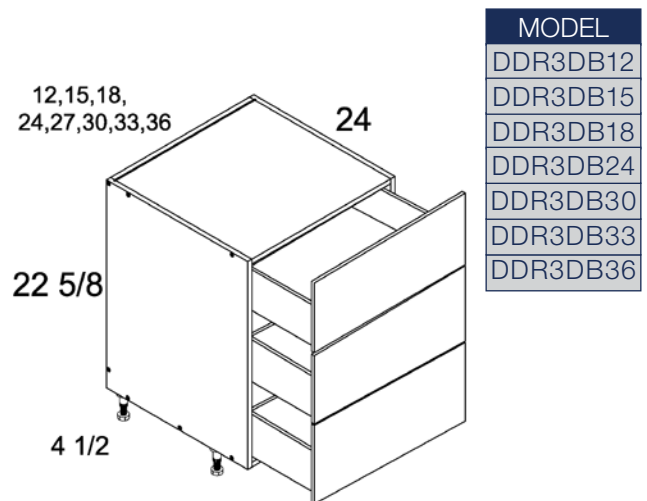
Full Height One Door Desk Bases



Full Height Two Drawer Desk Bases



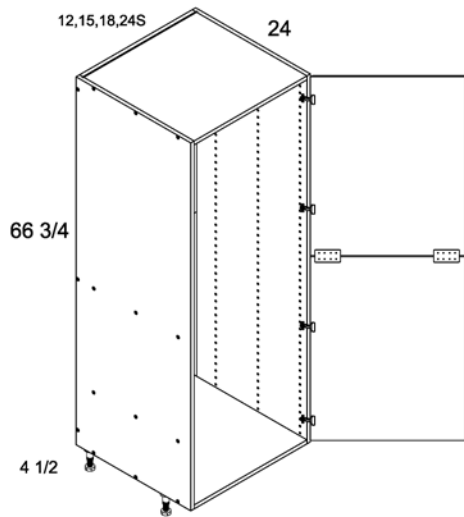
Full Height Three Drawer Desk Bases



### ALPINE

## TALL CABINETS - PRODUCT SPECIFICATIONS

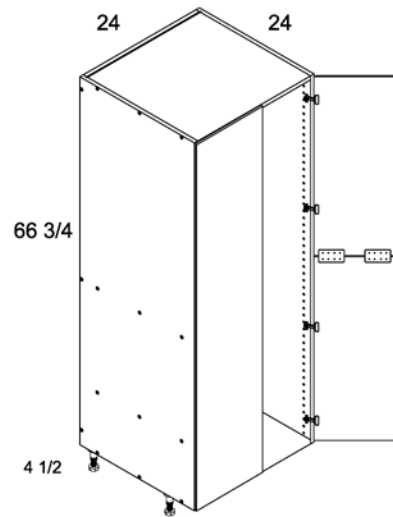
Tall Open Utility with Two Doors



**MODEL**

- T1272
- T1572
- T1872
- T2472S

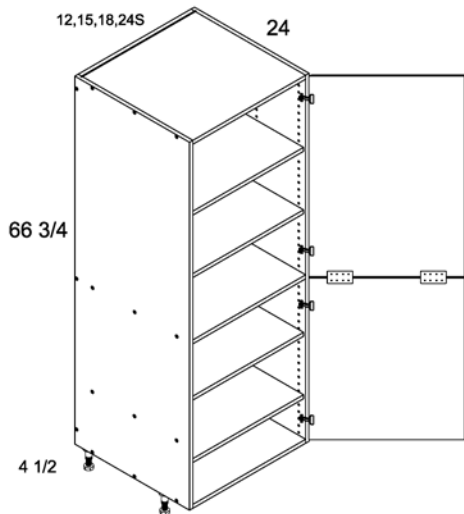
Tall Open Utility with Four Doors



**MODEL**

- T2472

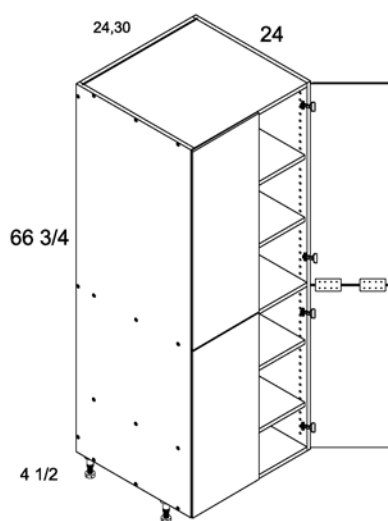
Tall Full Height Two Door Utility



**MODEL**

- TB1272FH
- TB1572FH
- TB1872FH
- TB2472SFH

Tall Full Height Four Door Utility



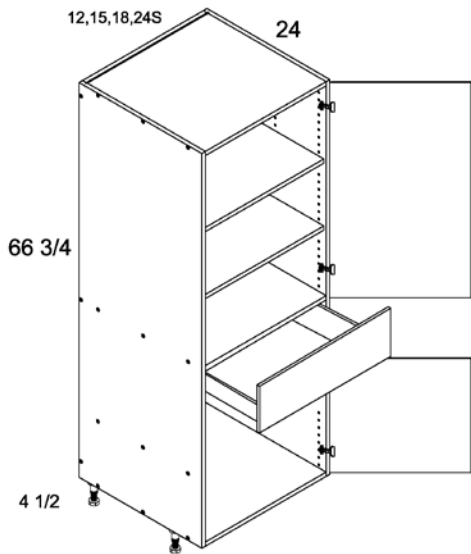
**MODEL**

- TB2472FH
- TB3072FH



### TALL CABINETS - PRODUCT SPECIFICATIONS

Tall Two Door One Drawer Utility



MODEL

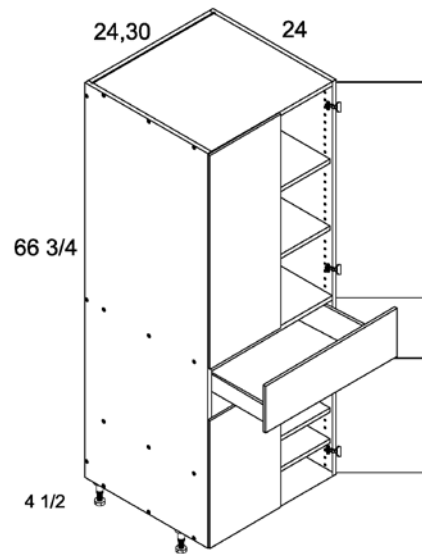
TB1272

TB1572

TB1872

TB2472S

Tall Four Door One Drawer Utility

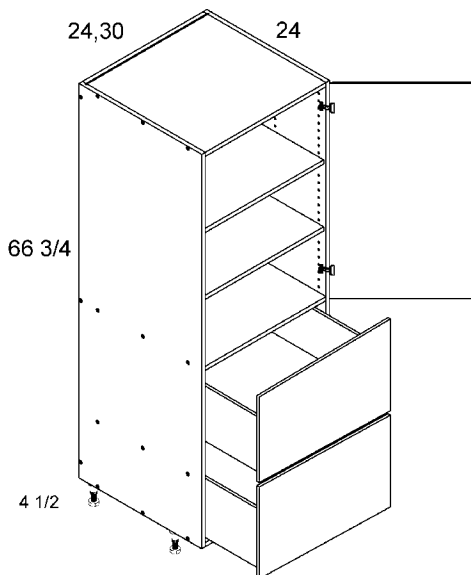


MODEL

TB2472

TB3072

Tall One Door Two Drawer Utility



MODEL

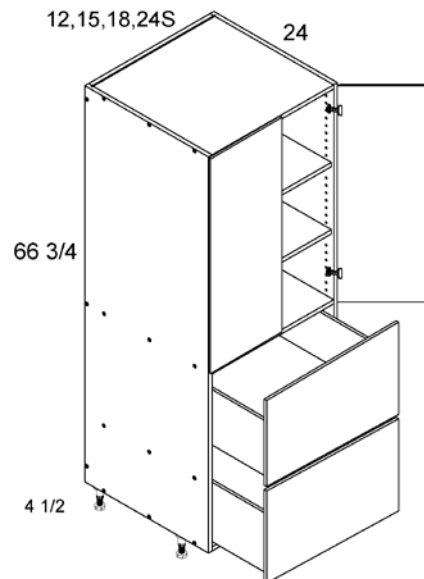
T2DB1272

T2DB1572

T2DB1872

T2DB2472S

Tall Two Door Two Drawer Utility



MODEL

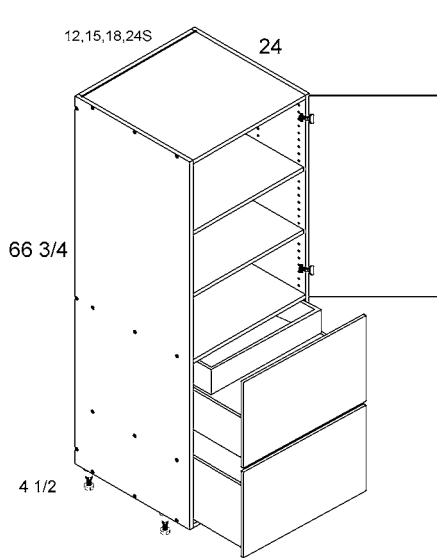
T2DB2472

T2DB3072

### ALPINE

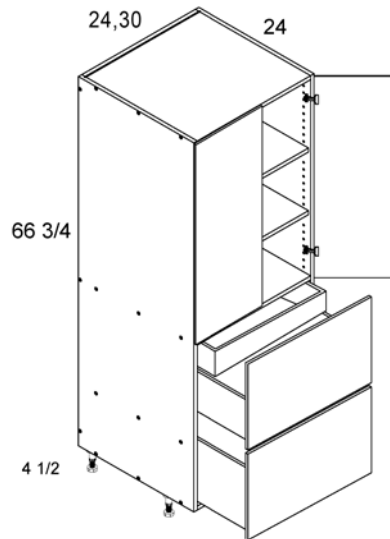
## TALL CABINETS - PRODUCT SPECIFICATIONS

Tall One Door Two Drawer with One Inner Drawer Utility



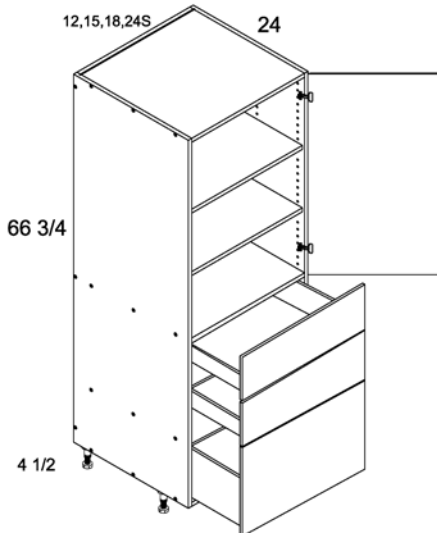
MODEL
T2DBID1272
T2DBID1572
T2DBID1872
T2DBID2472S

Tall Two Door Two Drawer with One Inner Drawer Utility



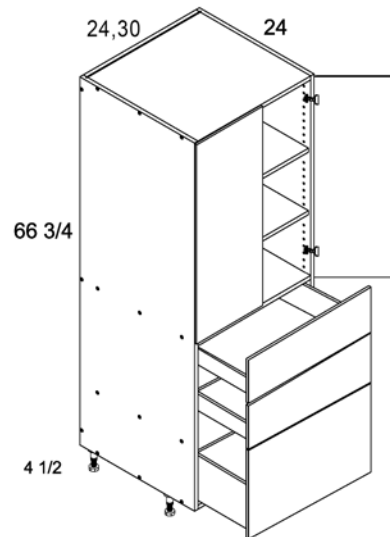
MODEL
T2DBID2472
T2DBID3072

Tall One Door Three Drawer Utility



MODEL
T3DB1272
T3DB1572
T3DB1872
T3DB2472S

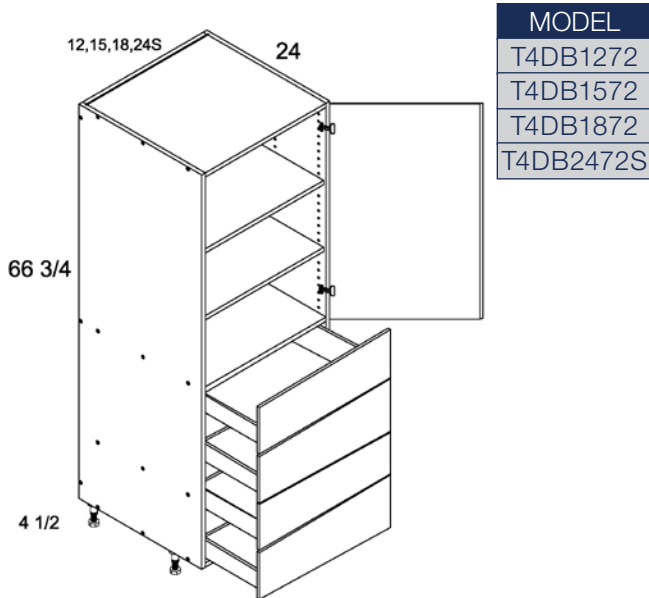
Tall Two Door Three Drawer Utility



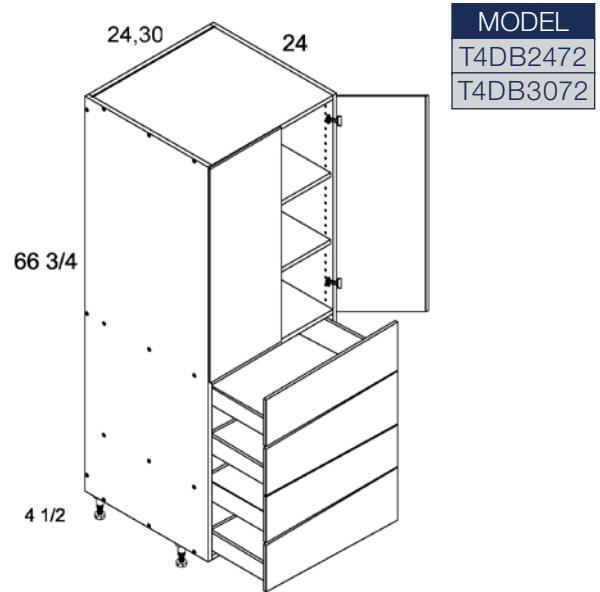
MODEL
T3DB2472
T3DB3072

### TALL CABINETS - PRODUCT SPECIFICATIONS

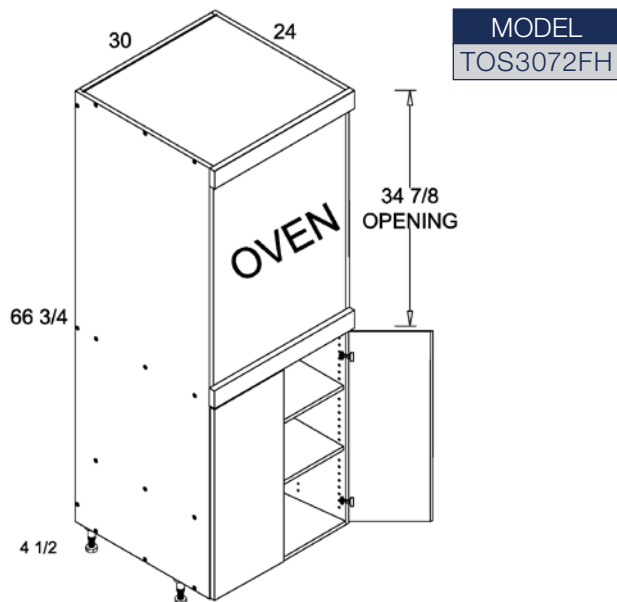
Tall One Door Four Drawer Utility



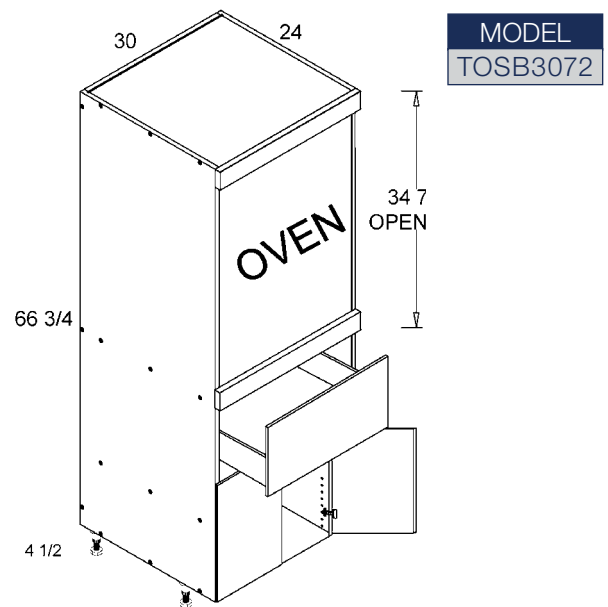
Tall Two Door Four Drawer Utility



Tall Single Oven Full Height Two Door Utility



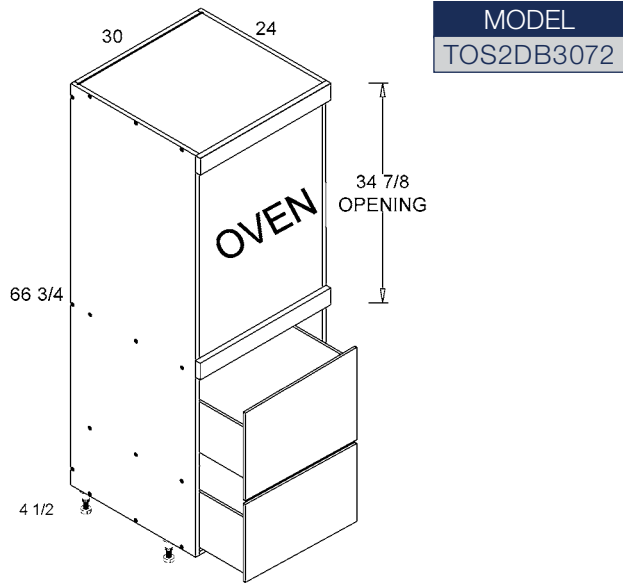
Tall Single Oven Two Door One Drawer Utility



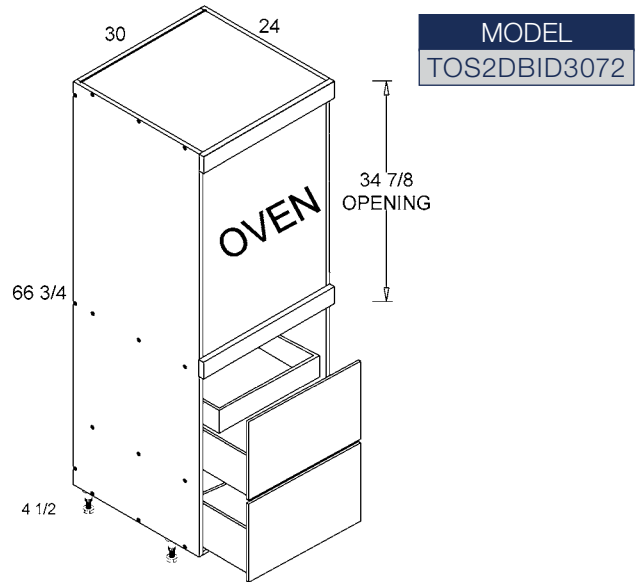
### ALPINE

## TALL CABINETS - PRODUCT SPECIFICATIONS

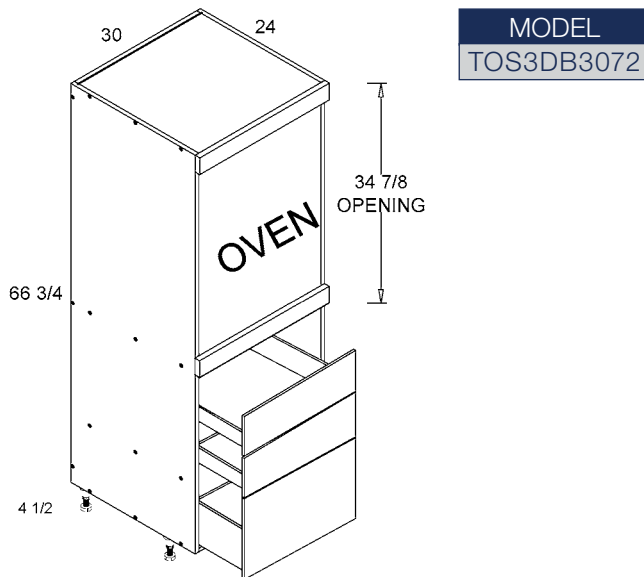
Tall Single Oven Two Drawer Utility



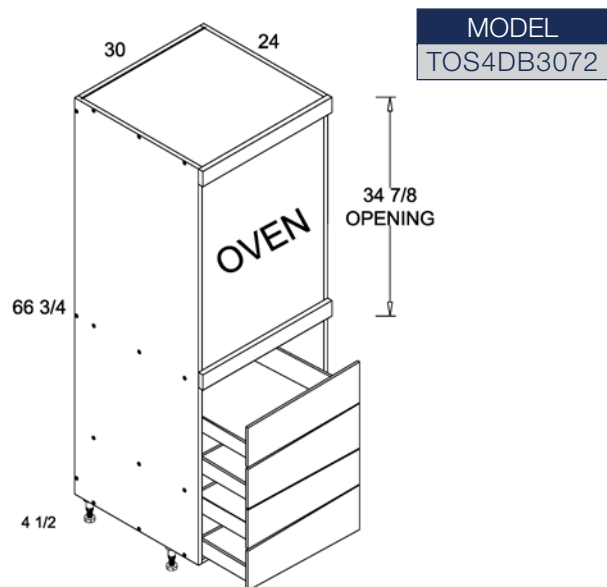
Tall Single Oven Two Drawer with One Inner Drawer Utility



Tall Single Oven Three Drawer Utility

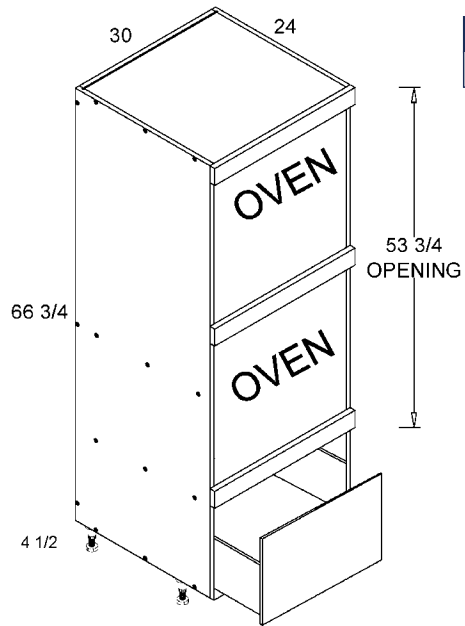


Tall Single Oven Four Drawer Utility



### TALL CABINETS - PRODUCT SPECIFICATIONS

Tall Double Oven One Drawer Utility

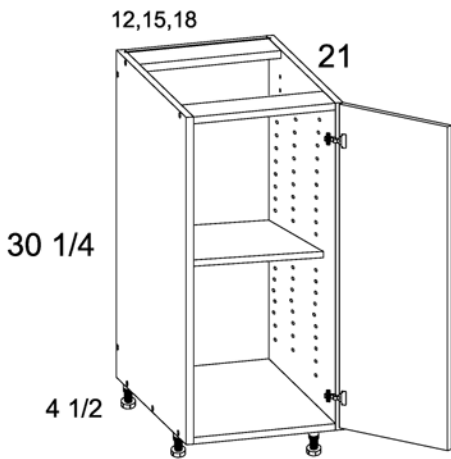


MODEL  
TOD3072

### ALPINE

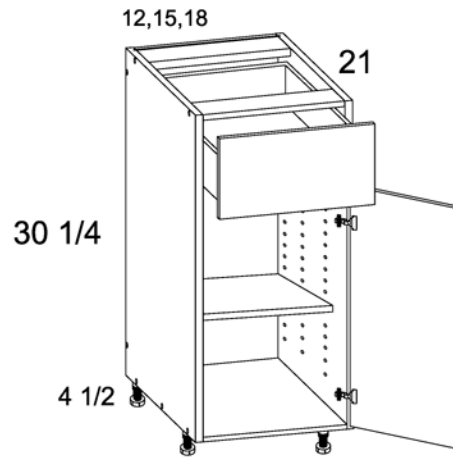
## VANITIES - PRODUCT SPECIFICATIONS

#### Full Height One Door Vanity Bases



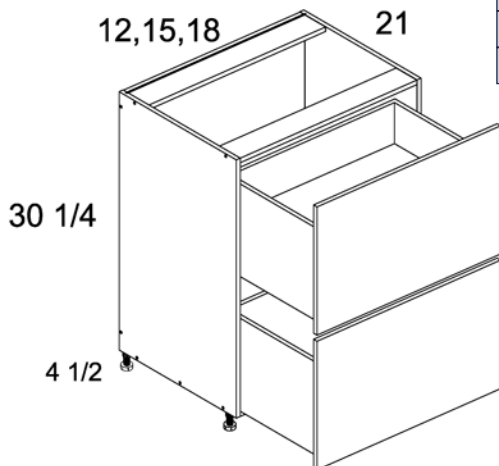
MODEL
VB12FH
VB15FH
VB18FH

#### One Door One Drawer Vanity Bases



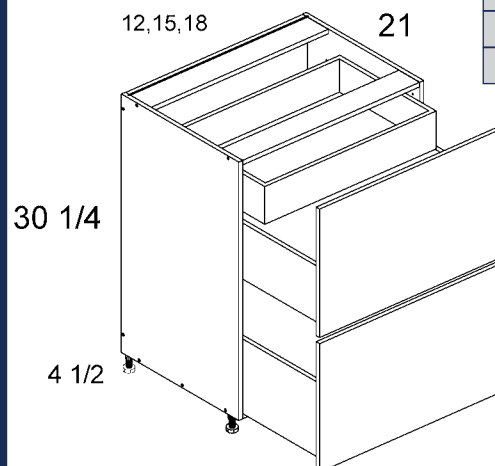
MODEL
VB12
VB15
VB18

#### Two Drawer Vanity Bases



MODEL
2VDB12
2VDB15
2VDB18

#### Two Drawer with One Inner Drawer Vanity Bases

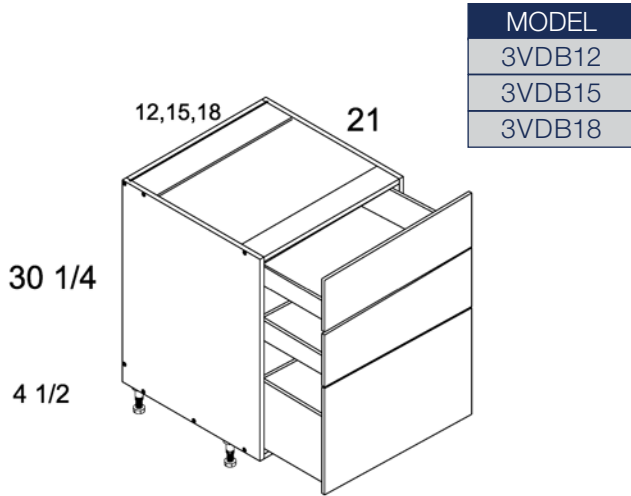


MODEL
2VDBID12
2VDBID15
2VDBID18

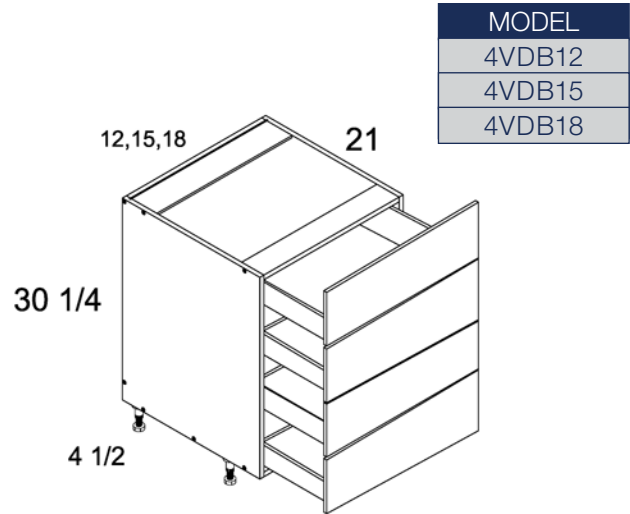


### VANITIES - PRODUCT SPECIFICATIONS

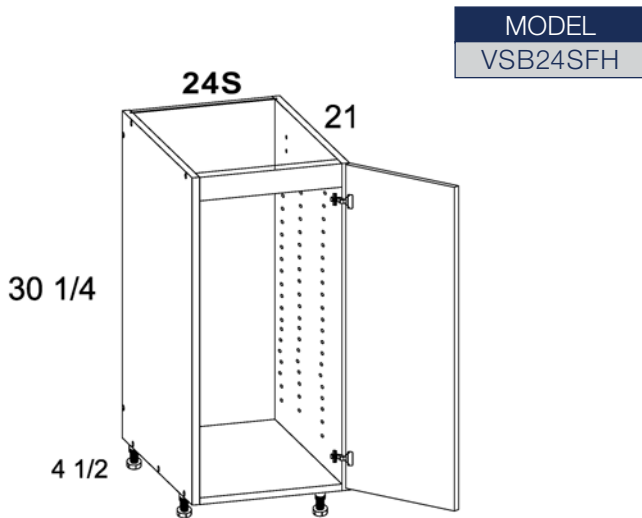
#### Three Drawer Vanity Bases



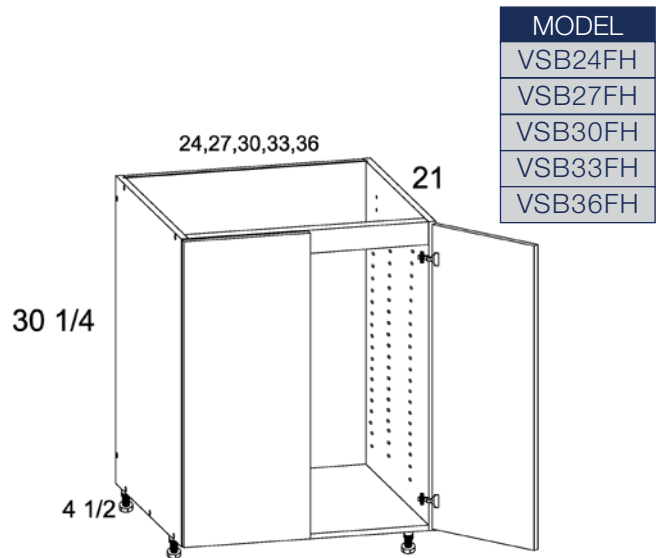
#### Four Drawer Vanity Bases



#### Full Height One Door Vanity Sink Bases

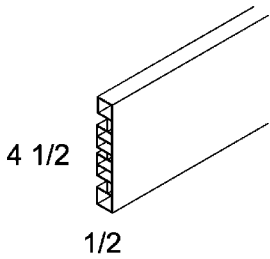


#### Full Height Double Door Vanity Sink Bases



### PANELS, FILLERS & MOULDINGS - PRODUCT SPECIFICATIONS

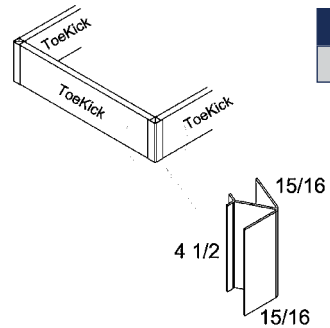
Moulding - TKC-PVC



\*BRUSHED ALUMINUM FINISH

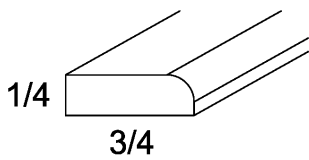
MODEL
TKC-PVC8
TKC-PVC3

Moulding - Corner-PVC



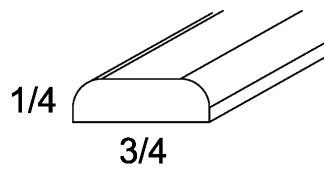
MODEL
Corner-PVC

Moulding - SM8



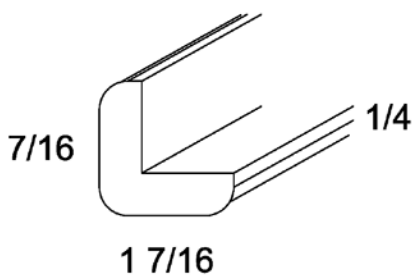
MODEL
SM8

Moulding - BM8



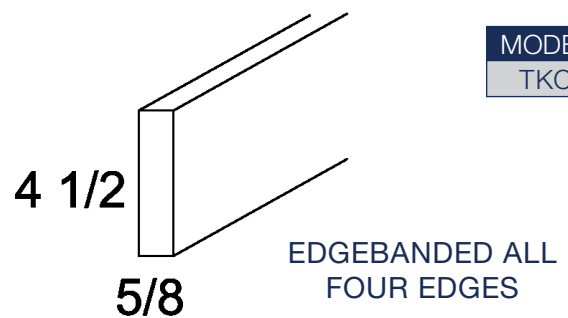
MODEL
BM8

Moulding - OCM8



MODEL
OCM8

Moulding - TKC



MODEL
TKC

\*Matching Laminate Face

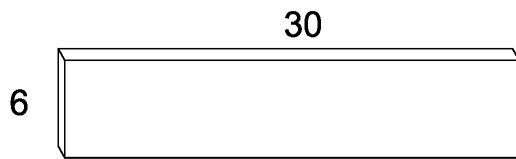
### ALPINE

## PANELS, FILLERS & MOULDINGS - PRODUCT SPECIFICATIONS

#### Fillers - AF3006

MODEL  
AF3006

Three pieces per item

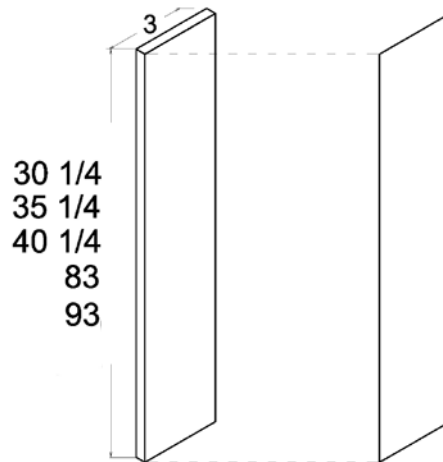


EDGEBANDED ALL  
FOUR EDGES

\*Oven Cabinet Horizontal Fillers

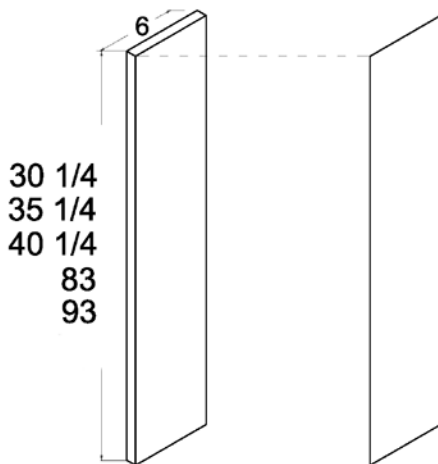
#### Fillers - OF3

MODEL  
OF330  
OF335  
OF340  
OF384  
OF394



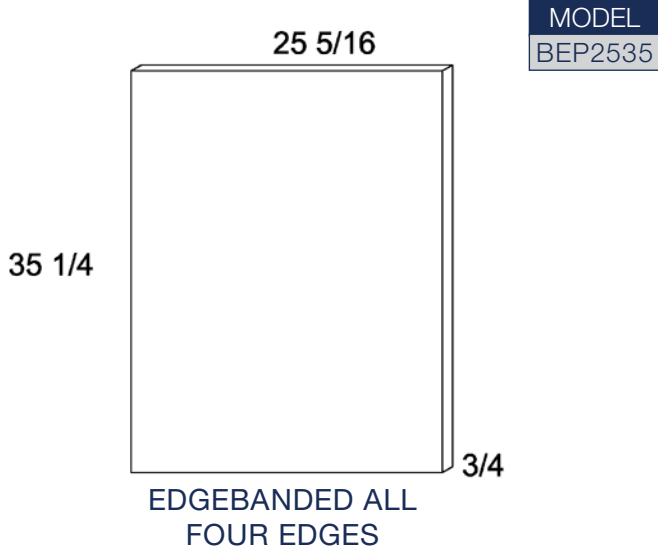
#### Fillers - OF6

MODEL  
OF630  
OF635  
OF640  
OF684  
OF694

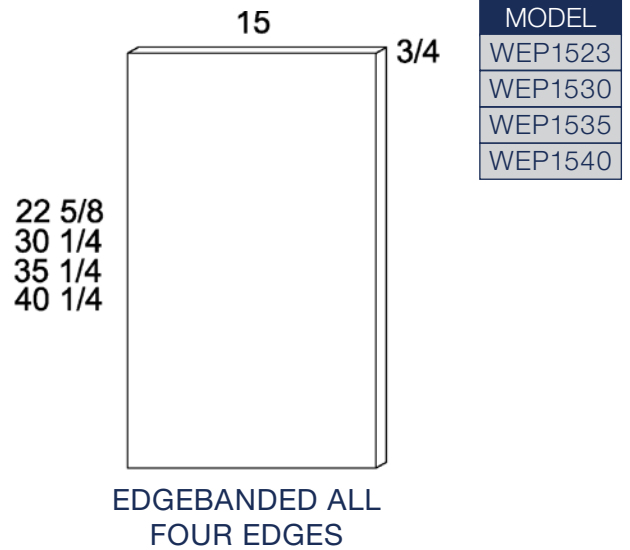


## PANELS, FILLERS & MOULDINGS - PRODUCT SPECIFICATIONS

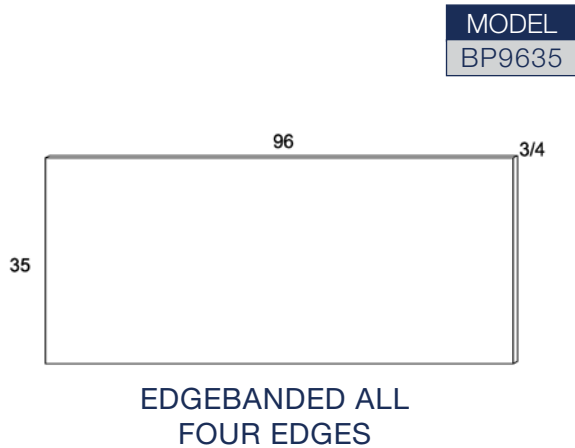
Panels - BEP2535



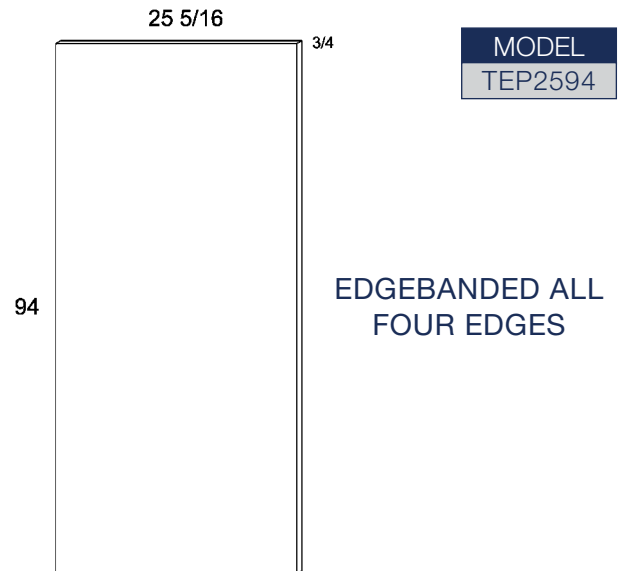
Panels - WEP



Panels - BP9635



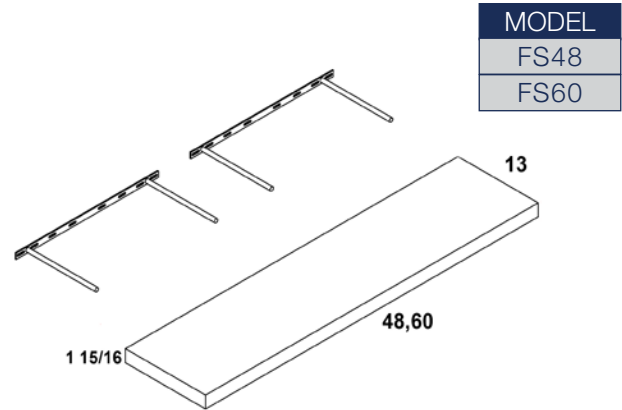
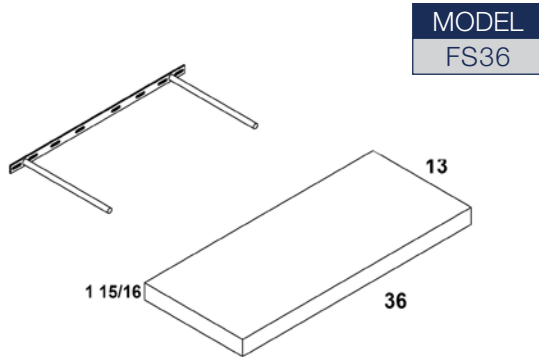
Panels - TEP2594



### ALPINE

## ACCESSORIES - PRODUCT SPECIFICATIONS

### Floating Shelves



U.S.

CABINET  
DEPOT

MAKING YOUR BUSINESS BETTER WITH US

---