

**RUGBY**  
Architectural Building Products



**STAINLESS STEEL SINKS  
BOWLS AND FAUCETS**

**“Because quality matters”**



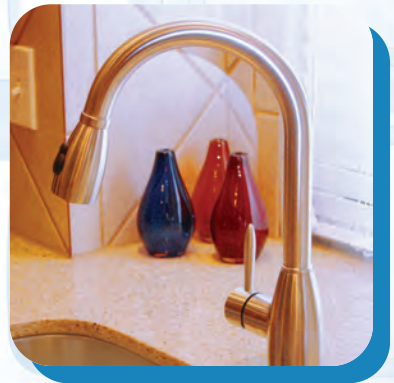
[www.rugbyabp.com](http://www.rugbyabp.com)

# RUGBY SINKS & FAUCETS

**Rugby Sinks and Faucets** are crafted from high quality 304 Series stainless steel with 18/10 Chromium nickel content. When properly maintained Rugby stainless sinks will retain their brilliant satin sheen for years to come.

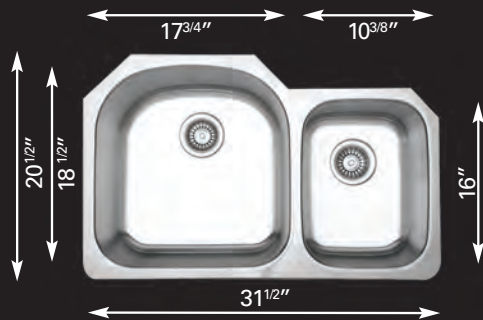
- ✓ Full Undercoating with Sound Dampening Pad
- ✓ Fully Rated SGS and CSA Tested Products
- ✓ Finest Stainless Steel
- ✓ Limited Lifetime Warranty
- ✓ Fully IAPMO Certified
- ✓ Locally Stocked
- ✓ CNC Certified

[www.rugbyabp.com](http://www.rugbyabp.com)



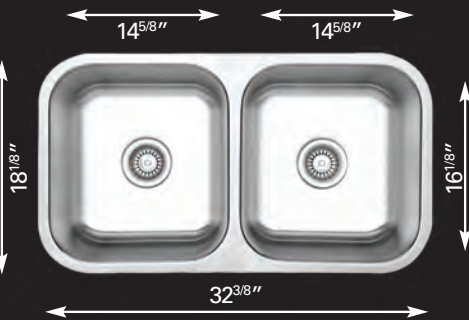
# RUGBY

Architectural Building Products



**RS 21**

Bowl depth 9" and 7"  
*Reverse available*



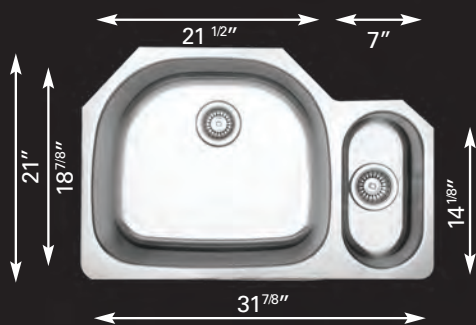
**RS 22**

Bowl depth 8 3/4"



**RS 23**

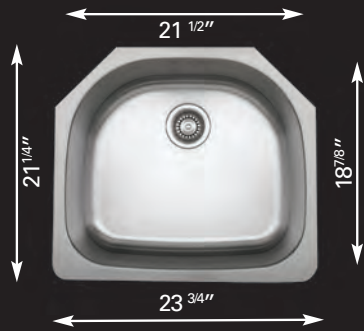
Bowl depth 9" and 7"  
*Reverse available*



**RS 24**

Bowl depth 9" and 5"  
*Reverse available*

# 18 GAUGE



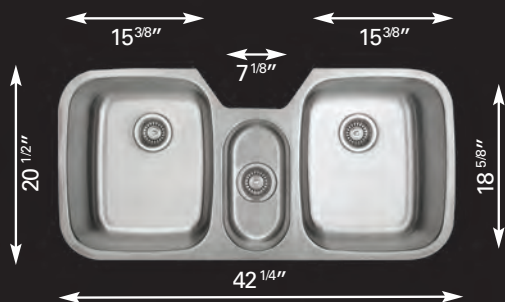
**RS 11**  
Bowl depth 9"



**RS 12**  
Bowl depth 10"



**RS 13**  
Bowl depth 9"



**RS 33**  
**TRIPLE BOWL**  
Bowl depth 9" and 5 1/8"

## 18 GAUGE & 20 GAUGE



### RS 14

Bowl depth 7 1/2"



### RS 15

Bowl depth 7"



### RS 16

**20 GAUGE STAINLESS  
DOUBLE WALL VANITY  
WITH BUILT-IN OVERFLOW**

Bowl depth 5 5/8"

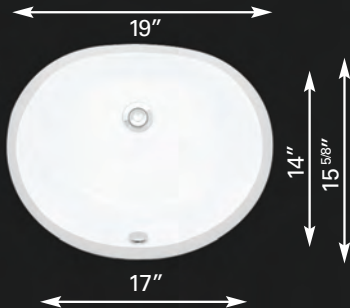


### RS 17

Bowl depth 6 1/2"

# VANITIES & NECESSITIES

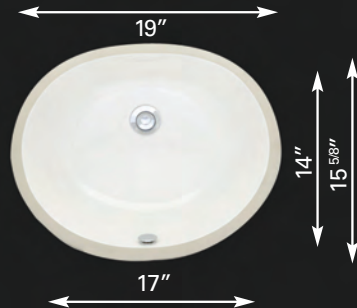
[www.rugbyabp.com](http://www.rugbyabp.com)



## RS1 CW

LAVATORY BOWL WHITE CERAMIC

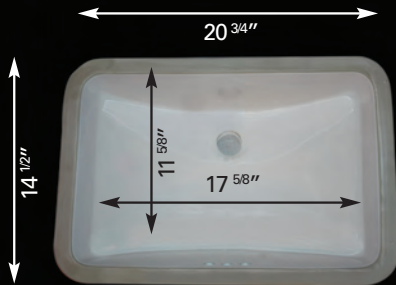
Bowl depth 7<sup>38</sup>"



## RS1 CB

LAVATORY BOWL BISQUE CERAMIC

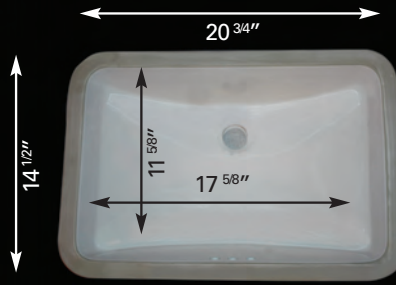
Bowl depth 7<sup>38</sup>"



## RS5 CW

RECTANGLE LAVATORY BASIN  
WHITE CERAMIC

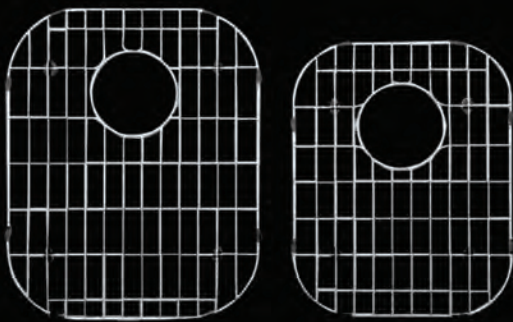
Bowl depth 7<sup>38</sup>"



## RS5 CB

RECTANGLE LAVATORY BASIN  
BISQUE CERAMIC


Bowl depth 7<sup>38</sup>"



**MATCHING  
STAINLESS GRATES**



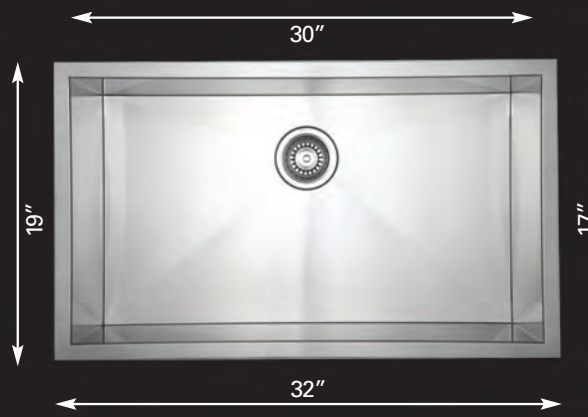
**STRAINER BASKET**



**RS 72**  
**ZERO RADIUS**  
Bowl depth 10"



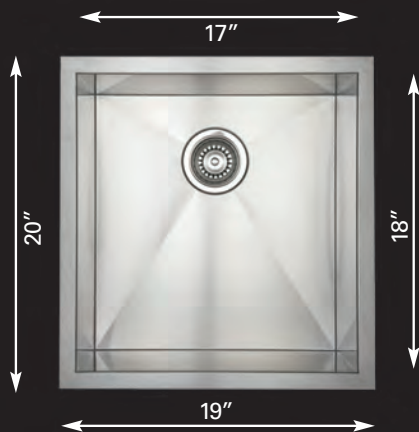
**RS 73**  
**ZERO RADIUS**  
Bowl depth 10"  
*Reverse available*



**RS 62**  
**ZERO RADIUS**  
Bowl depth 10"



## ZERO RADIUS 16 GAUGE STAINLESS



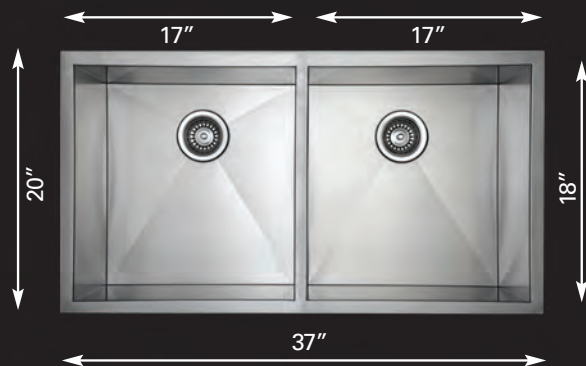
### **RS 63** **ZERO RADIUS**

Bowl depth 10"



### **RS 79** **APRON FRONT SINK**

Bowl depth 9"



### **RS 78** **EXTRA WIDE**

Bowl depth 17"

## STAINLESS FAUCETS



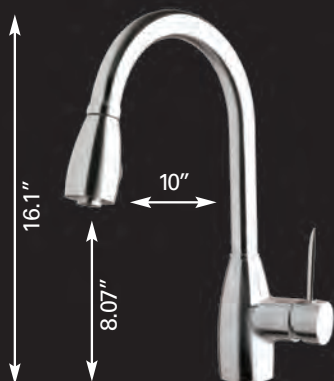
### **RS F1** **STAINLESS STEEL FAUCET**

All stainless construction  
Ceramic disk cartridge



### **RS F2** **STAINLESS STEEL FAUCET**

All stainless construction  
Ceramic disk cartridge

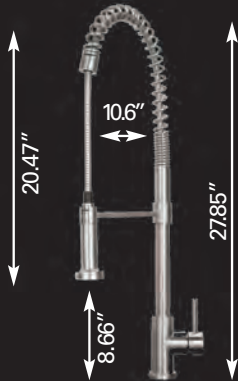


### **RS F3** **STAINLESS STEEL FAUCET**

All stainless construction  
Ceramic disk cartridge

# STAINLESS FAUCETS

[www.rugbyabp.com](http://www.rugbyabp.com)



## **RS F4** **STAINLESS STEEL FAUCET**

All stainless construction  
Ceramic disk cartridge



## **RS F5** **STAINLESS STEEL FAUCET**

All stainless construction  
Ceramic disk cartridge



## **RS F9** **SOAP DISPENSER** **WITH STAINLESS BOTTLE & PUMP**

All stainless construction

Available Through:

**RUGBY**  
Architectural Building Products

Atlanta • Boston • Chicago • Dallas • Houston  
Indianapolis • Las Vegas • Metro New York  
Phoenix • Reno • Tampa  
San Antonio • Southern California

[www.rugbyabp.com](http://www.rugbyabp.com)